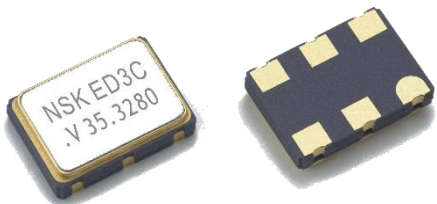
















## NAVH Series 5.0 x 3.2

	<b>VXCO Application :</b> <ul style="list-style-type: none"> <li> Broad casting equipment</li> <li> Sonet / SDH.ATM</li> <li> FM modulator</li> <li> AFC circuit</li> <li> PLL circuit</li> </ul>
	<b>Features :</b> <ul style="list-style-type: none"> <li> Excellent environmental capability</li> <li> High accuracy and high reliability</li> <li> Supply voltage: 3.3V or 5V</li> <li> Low power consumption</li> <li> Frequency adjustable</li> </ul>



## Electrical Specification :

Model		NAVH-53
Frequency Range	MHz	1.25 ~ 62.0
Output Type		CMOS
Frequency Stability	PPM	±25 ~ ±50 Min (Vcon at 50% VDC)
Voltage Vol (Max.) / Voh (Min.)		0.1 VDD / 0.9 VDD
Operating Temp Range	°C	-20 ~ +70, or specify
Storage Temp Range	°C	-55 ~ +125
Pullability	PPM	±50 ~ ±100 min or specify
Power Supply Voltage	VDC	3.3V±10% or 2.5V±10%
Output Symmetry	%	40% ~ 60% or 45% ~ 55%
Current Consumption	mA max	30
Output Load	pF	15
Rise and Fall Time	nS max	10

\* Above specification subject to change without prior notice, please consult our sales representative for more information\*

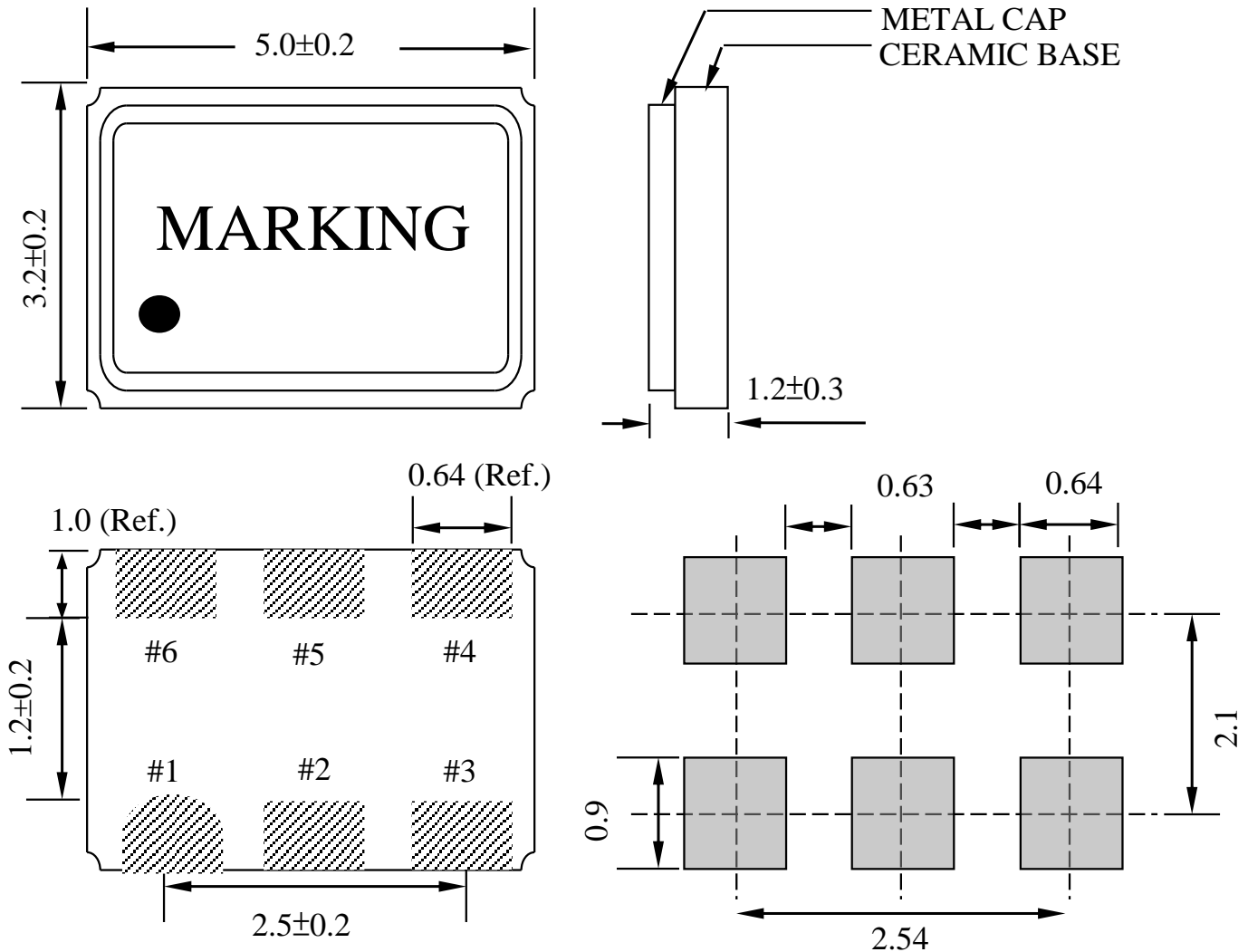
### TAIWAN — JENJAAN QUARTEK CORPORATION

Address : 3F-5, No 504 Yun Shan Road, Chung Ho City, Taipei, Taiwan  
 Tel : +886-2-8221-4498 Fax : +886-2-8221-4499  
 E-mail : jenjaan@jenjaan.com.tw Web : http://www.nsk.com.tw

### FACTORY - DONG GUAN ALLIED PROJECT LIMITED

Address : No. 703, Fu Min Zhong Road, Yang Yong Village, Dalang  
 Town, Dong Guan, Guang Dong, China Tel : +86-769-8311-9395  
 Fax : +86-769-8313-0880 E-mail : alliedj@pub.dgnet.gd.cn

## ▶ Dimensions (mm) :



### #1: ENABLE / DISABLE FUNCTION

INH (PIN 2)	→	OUTPUT (PIN 4)	# NO.: define		
High (OPEN)	→	Operating	#6: VDC	#5: NC	#4: OUTPUT
LOW	→	High impedance	#1: Vcon	#2: E/D	#3: GND

\* Above specification subject to change without prior notice, please consult our sales representative for more information\*

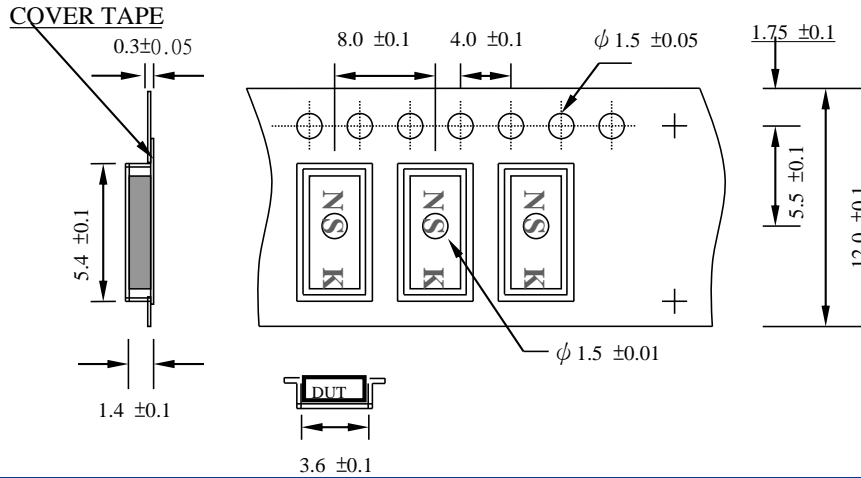
#### TAIWAN — JENJAAN QUARTEK CORPORATION

Address : 3F-5, No 504 Yun Shan Road, Chung Ho City, Taipei, Taiwan  
 Tel : +886-2-8221-4498 Fax : +886-2-8221-4499  
 E-mail : jenjaan@jenjaan.com.tw Web : http://www.nsk.com.tw

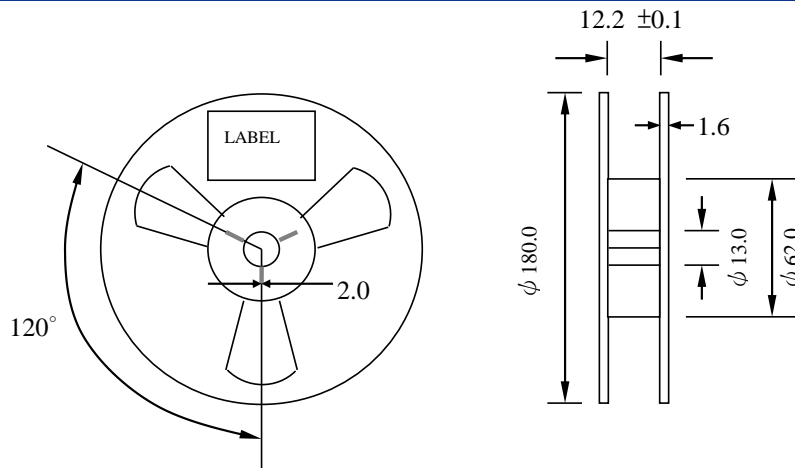
#### FACTORY - DONG GUAN ALLIED PROJECT LIMITED

Address : No. 703, Fu Min Zhong Road, Yang Yong Village, Dalang  
 Town, Dong Guan, Guang Dong, China Tel : +86-769-8311-9395  
 Fax : +86-769-8313-0880 E-mail : alliedj@pub.dgnet.gd.cn

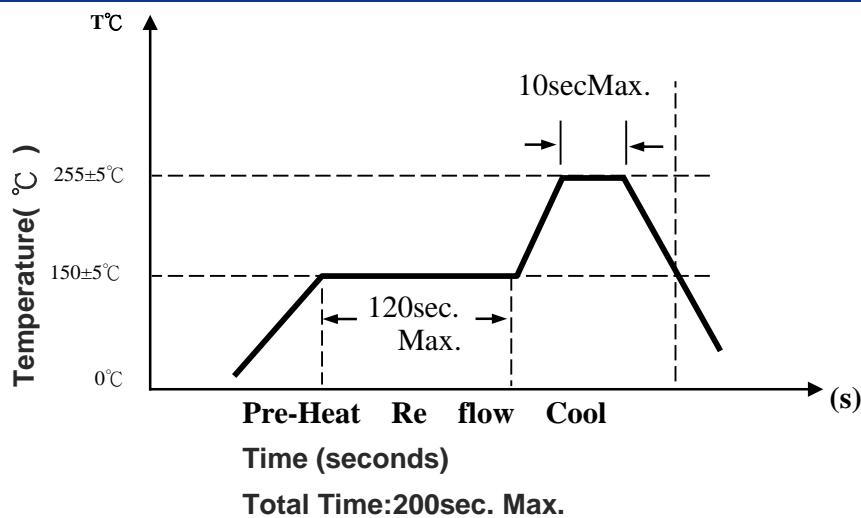
## Tape Specification(mm) :



## Reel Packing(mm) :



## Reflow Temperature Profile :



\* Above specification subject to change without prior notice, please consult our sales representative for more information\*

TAIWAN — JENJAAN QUARTEK CORPORATION

Address : 3F-5, No 504 Yun Shan Road, Chung Ho City, Taipei, Taiwan

Tel : +886-2-8221-4498

E-mail : jenjaan@jenjaan.com.tw

Fax : +886-2-8221-4499

Web : <http://www.nsk.com.tw>

FACTORY - DONG GUAN ALLIED PROJECT LIMITED

Address : No. 703, Fu Min Zhong Road, Yang Yong Village, Dalang

Town, Dong Guan, Guang Dong, China Tel : +86-769-8311-9395

Fax : +86-769-8313-0880

E-mail : alliedj@pub.dgnet.gd.cn