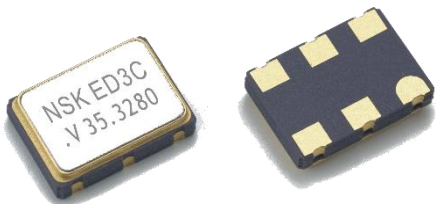
















NAVD Series 7.0 x 5.0

  	VXCO Application : <ul style="list-style-type: none">  Broad casting equipment  Sonet / SDH.ATM  FM modulator  AFC circuit  PLL circuit
	Features : <ul style="list-style-type: none">  Excellent environmental capability  High accuracy and high reliability  Supply voltage: 3.3V or 5V  Low power consumption  Frequency adjustable



Electrical Specification :

Model		NAVD-75
Frequency Range	MHz	1.25 ~ 62.0
Frequency Control Range	PPM	±30 ~ ±150 min. (2.5±2.0 V DC)
Operating Temp Range	°C	0 ~ +70 or specify
Storage Temp Range	°C	-40 ~ +85
Frequency Stability	PPM	±10 ~ ±100 max
Power Supply Voltage	VDC	3.3V±10% or 5.0V±10%
Output Symmetry	%	40% ~ 60% or 45% ~ 55%
Current Consumption	mA max	30
Output Load	pF	15
Rise and Fall Time	nS max	5.0

* Above specification subject to change without prior notice, please consult our sales representative for more information*

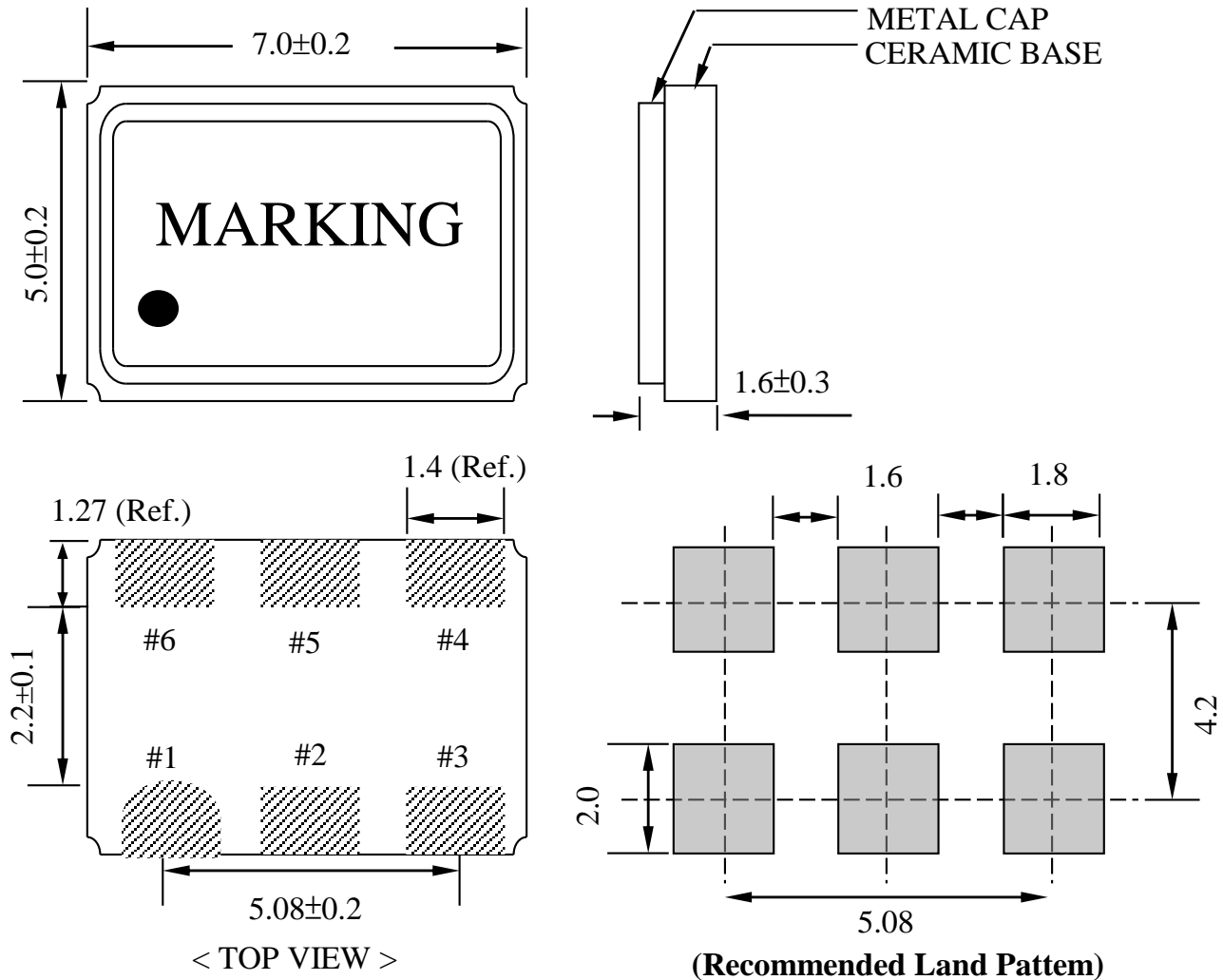
TAIWAN — JENJAAN QUARTEK CORPORATION

Address : 3F-5, No 504 Yun Shan Road, Chung Ho City, Taipei, Taiwan
 Tel : +886-2-8221-4498 Fax : +886-2-8221-4499
 E-mail : jenjaan@jenjaan.com.tw Web : http://www.nsk.com.tw

FACTORY - DONG GUAN ALLIED PROJECT LIMITED

Address : No. 703, Fu Min Zhong Road, Yang Yong Village, Dalang
 Town, Dong Guan, Guang Dong, China Tel : +86-769-8311-9395
 Fax : +86-769-8313-0880 E-mail : alliedj@pub.dgnet.gd.cn

Dimensions (mm) :



#1: ENABLE / DISABLE FUNCTION

INH (PIN 2)	—————>	OUTPUT (PIN 4)	# NO.: define		
High (OPEN)	—————>	Operating	#6: VDC	#5: NC	#4: OUTPUT
LOW	—————>	High impedance	#1: Vcon	#2: E/D	#3: GND

* Above specification subject to change without prior notice, please consult our sales representative for more information*

TAIWAN — JENJAAN QUARTEK CORPORATION

Address : 3F-5, No 504 Yun Shan Road, Chung Ho City, Taipei, Taiwan

Tel : +886-2-8221-4498

E-mail : jenjaan@jenjaan.com.tw

Fax : +886-2-8221-4499

Web : http://www.nsk.com.tw

FACTORY - DONG GUAN ALLIED PROJECT LIMITED

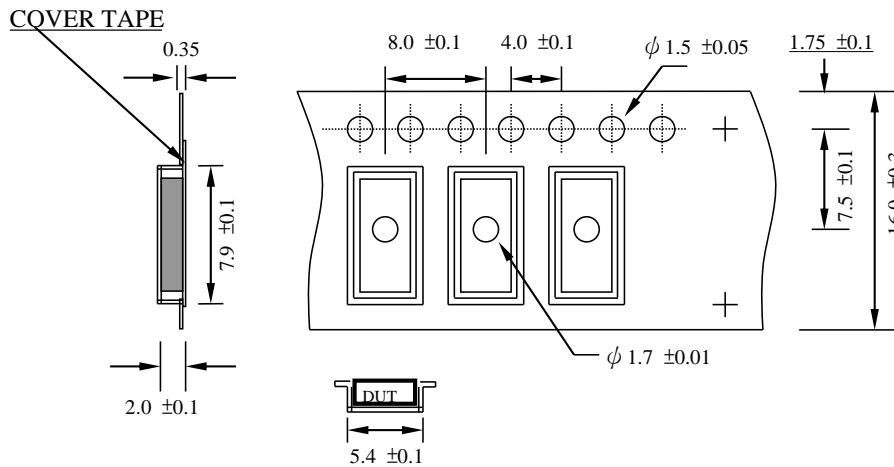
Address : No. 703, Fu Min Zhong Road, Yang Yong Village, Dalang

Town, Dong Guan, Guang Dong, China Tel : +86-769-8311-9395

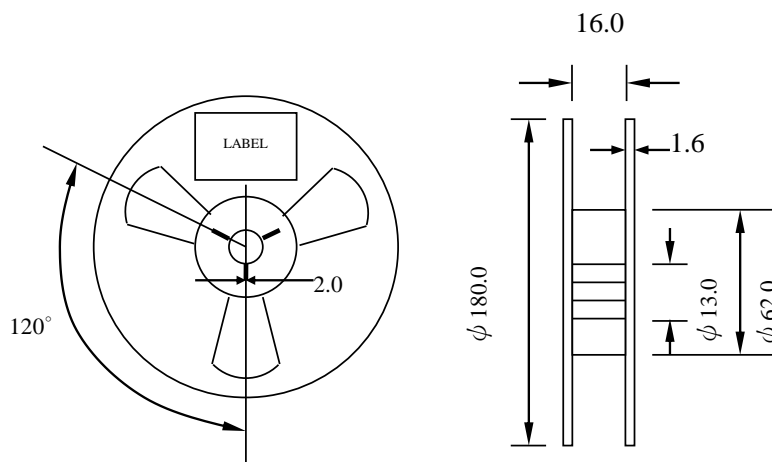
Fax : +86-769-8313-0880

E-mail : alliedj@pub.dgnet.gd.cn

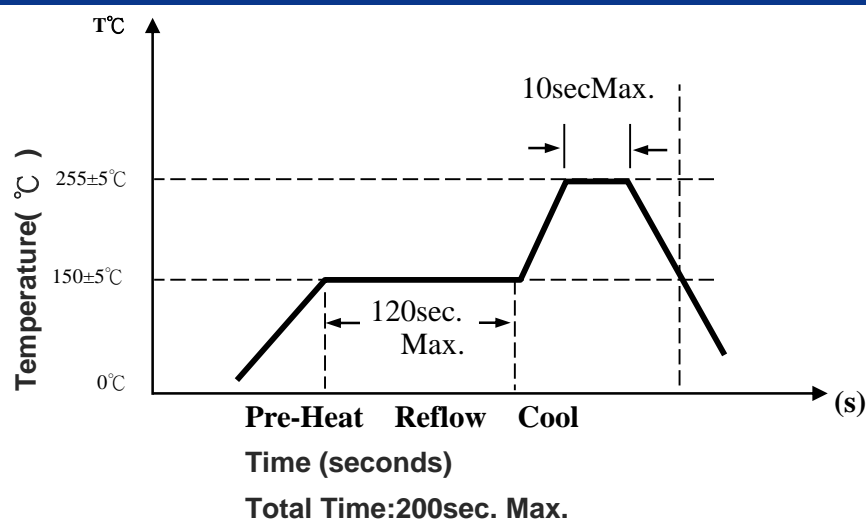
Tape Specification(mm) :



Reel Packing(mm) :



Reflow Temperature Profile :



* Above specification subject to change without prior notice, please consult our sales representative for more information*

TAIWAN — JENJAAN QUARTEK CORPORATION

Address : 3F-5, No 504 Yun Shan Road, Chung Ho City, Taipei, Taiwan

Tel : +886-2-8221-4498

E-mail : jenjaan@jenjaan.com.tw

Fax : +886-2-8221-4499

Web : <http://www.nsk.com.tw>

FACTORY - DONG GUAN ALLIED PROJECT LIMITED

Address : No. 703, Fu Min Zhong Road, Yang Yong Village, Dalang

Town, Dong Guan, Guang Dong, China Tel : +86-769-8311-9395

Fax : +86-769-8313-0880

E-mail : alliedj@pub.dgnet.gd.cn